



Main Features:-

- ◆ 2pc Design Stainless Ball Valve
- ◆ Dead Man Spring Return Lever
- ◆ BSPP Full Bore, Anti Blow Out Stem
- ◆ PTFE seats and Seals
- ◆ -10C to +180C Temperature Rating PN63

*Temperature and pressure determined by valve body, seat etc.

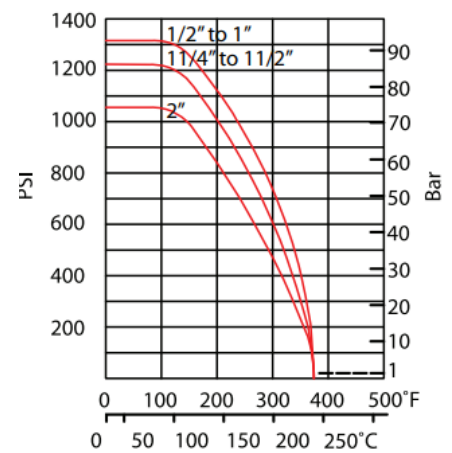
Suitable Applications & Approvals:



SERIES: 10112

MANUFACTURER: **AVOL**
INDUSTRIAL VALVES

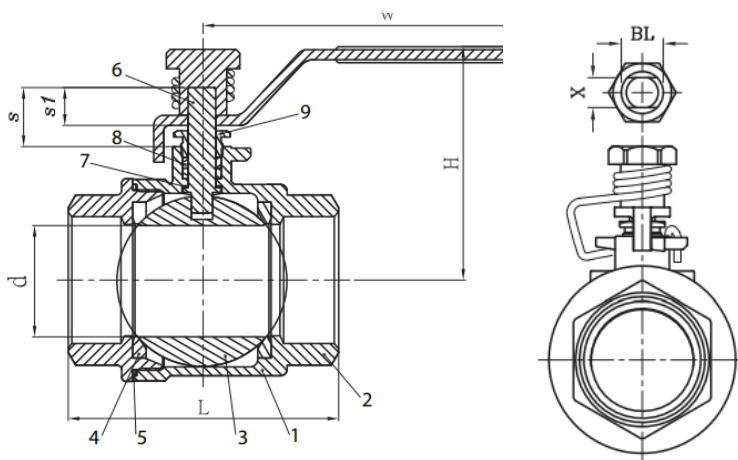
PRESSURE & TEMP CHART



SIZE	CODE	D	L	H	W	X	N	CV
1/2"	10112	15	57	53	95	5.0	12.5	11.2
3/4"	10112	20	65	59.5	110	6.5	21.0	21.0
1"	10112	25	76	73	135	8	22.5	35.0
1 1/4"	10112	32	87.5	79	135	8	23.5	57.0
1 1/2"	10112	38	102	90.5	165	9	23.5	80.0
2"	10112	50	123	98.5	165	9	23.5	148

VALVE DIMENSIONS

DIMENSIONAL DRAWING OF VALVE



MATERIALS OF CONSTRUCTION

BODY	SS ASTM A351
BALL	SS ASTM A351
BODY SEAT	PTFE
STEM	AISI 316 SS
ORINGS	PTFE
PRESSURE	PN96
TEMP	-10 to +180C

T +44 (0)1386 552369

W www.allvalves.co.uk

E sales@allvalves.co.uk

F +44 (0)1386 554227

